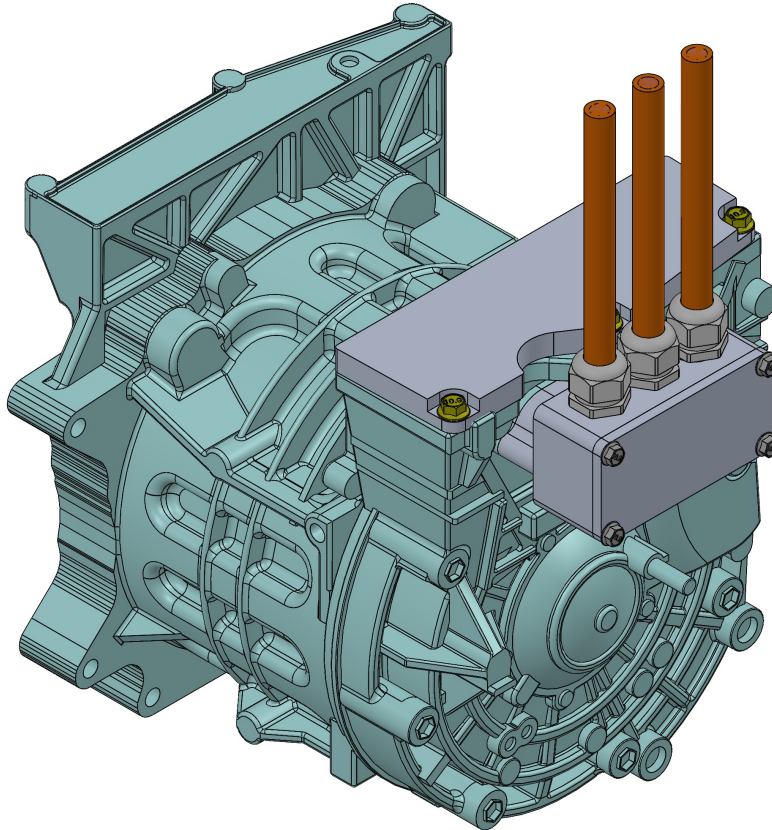


Assembly Instructions

EM57 Motor 3 Phase Wiring Kit

Revision: -
Page 1 of 6



ITEM NO.	DESCRIPTION	PartNo	QTY.
1	EM57 Motor 3ph Cover	1200.1022	1
2	EM57 Motor 3ph Enclosure	1200.1023	1
3	EM57 Motor 3ph Spacer	1200.1024	3
4	EM57 Motor 3ph Isolator	1200.1025	1
5	EM57 Motor Top Cover	1200.1030	1
6	M6x1.00 x 75 Socket Head Cap Screw	9500.0008	2
7	M6x1.00 x 16 Bolt	9500.0003	4
8	M8x1.25 x 95 Bolt	9500.0009	3
9	M8x1.25 x 16 Bolt	9500.0001	3

Assembly Instructions
EM57 Motor 3 Phase Wiring Kit

Revision: -
Page 2 of 6

Safety and Liability

Thank you for choosing our EM57 wiring kit. We want to ensure that you have a safe and successful installation experience. Please read and follow all instructions carefully and completely before beginning your installation. Failure to follow these instructions may result in personal injury, property damage, or both.

1. **Safety precautions:** Always wear protective gear, including gloves, eye protection, and suitable clothing when working with any electric vehicle wiring. Before beginning any work, ensure that the battery is disconnected and the system is completely deenergized.
2. **Professional installation:** Installation of this kit requires specialized knowledge and skills. We strongly recommend that you consult a professional conversion shop if you are not adequately trained and qualified. The wiring must be installed correctly and safely to prevent fire, electrocution, or damage to the vehicle.
3. **Product liability:** This kit is designed and tested to meet industry standards for safety and performance. However, we cannot guarantee that the kit will be suitable for all applications. It is your responsibility to ensure that the kit is installed correctly and used safely. We are not liable for any damages or injuries resulting from the installation or use of our wiring kit.
4. **Legal compliance:** Installation of this kit may be subject to local, state, or federal regulations. It is your responsibility to ensure that you comply with all applicable laws and regulations before installing the wiring kit. We are not responsible for any legal or regulatory issues that may arise from the installation or use of our wiring kit.

By installing and using our EM57 wiring kit, you acknowledge that you have read, understood, and agreed to these safety and disclaimer messages. If you have any questions or concerns, please contact us before proceeding with the installation.

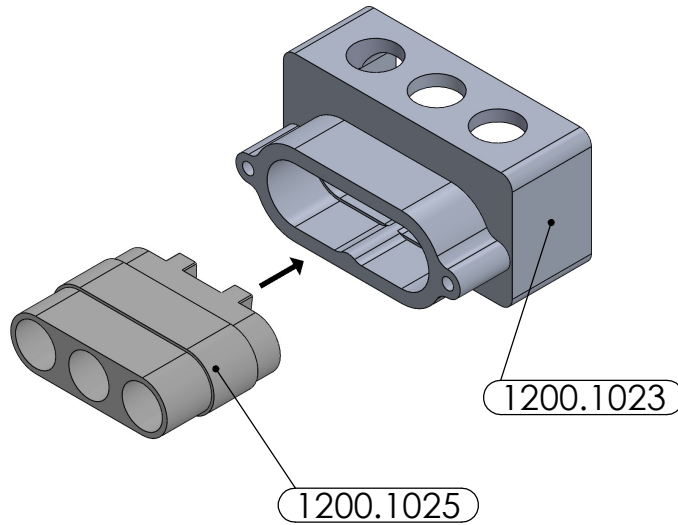
-Inductive Autoworks Engineering Team
inquiry@inductiveauto.com

Assembly Instructions

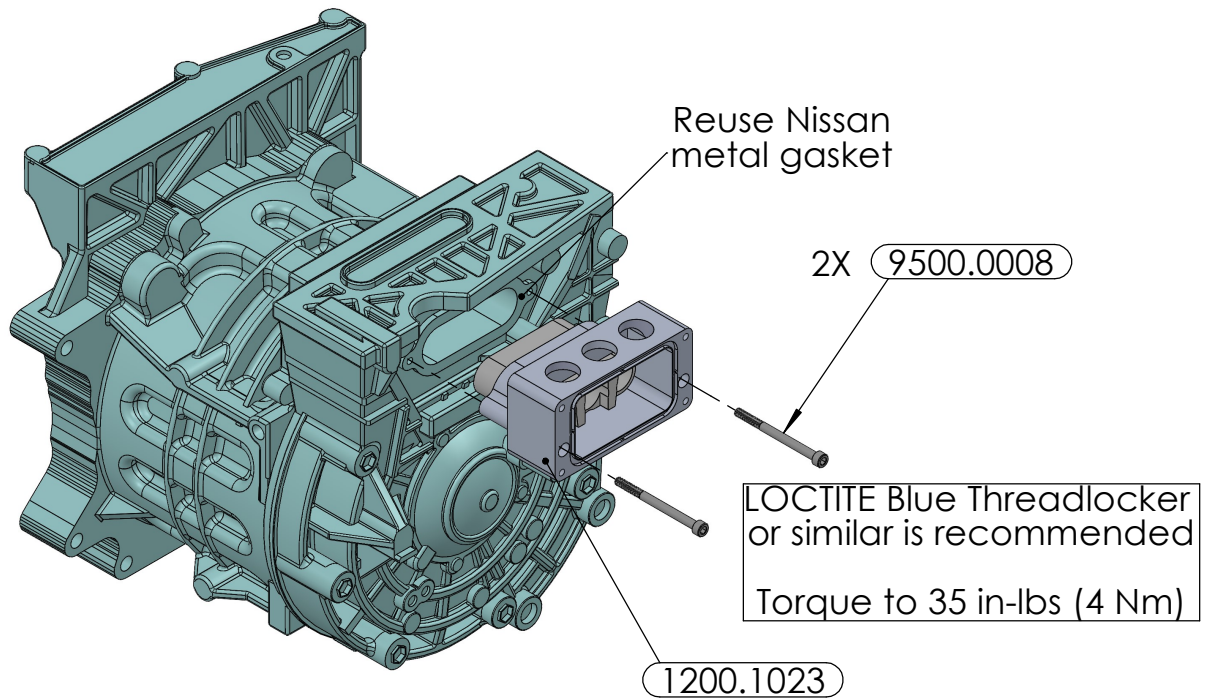
EM57 Motor 3 Phase Wiring Kit

Revision: -
Page 3 of 6

STEP 1



STEP 2



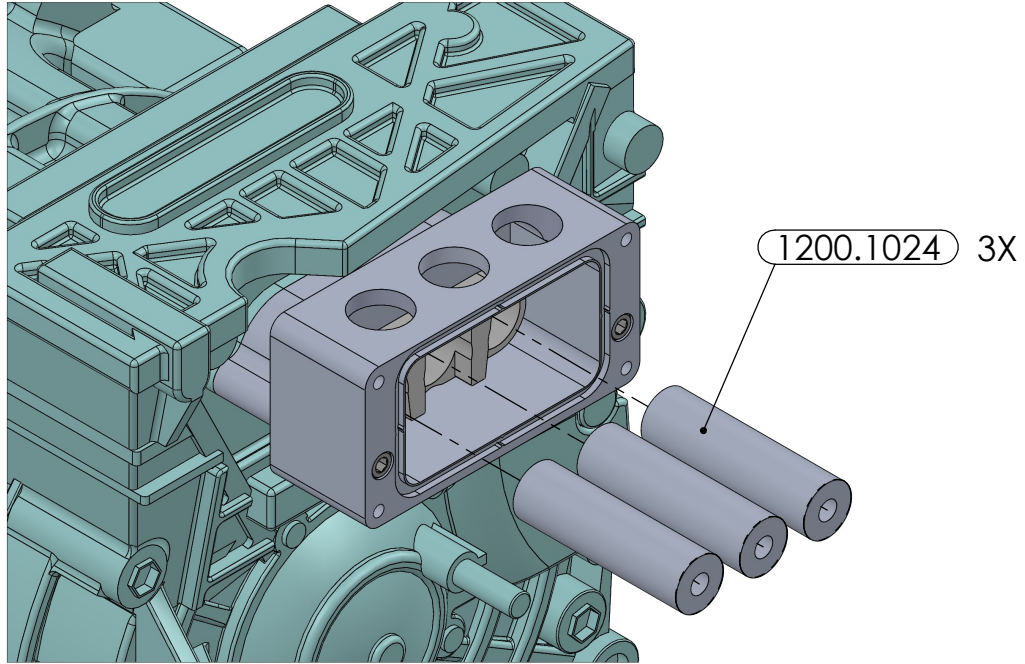
Note: EM57 Motor 3ph Enclosure (1200.1023) can be installed with cord grips facing up or down depending on your application

Assembly Instructions

EM57 Motor 3 Phase Wiring Kit

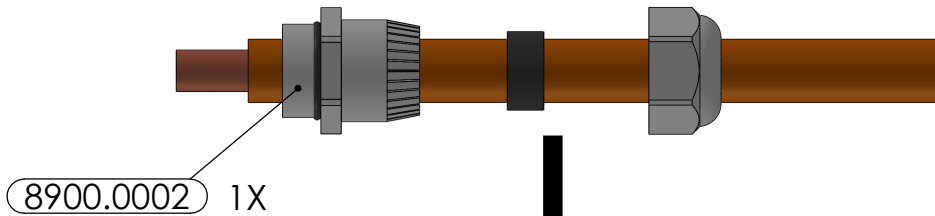
Revision: -
Page 4 of 6

STEP 3

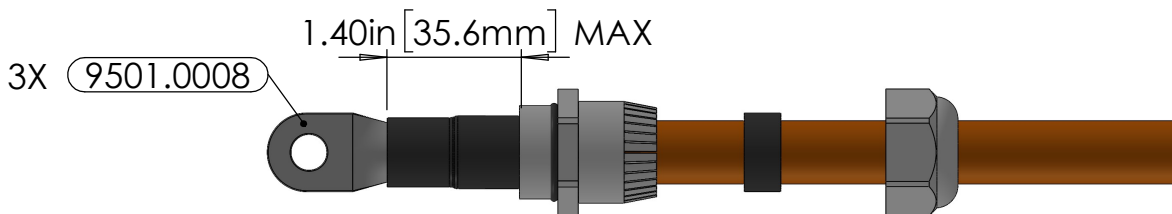


STEP 4

Install cord grip onto 2/0 **BEFORE** crimping lug



Crimp 2/0 Lugs 3X (9501.0008) onto 2/0. A hydraulic crimp tool with a 50mm die is recommended



Adhesive (marine) heatshrink is recommended

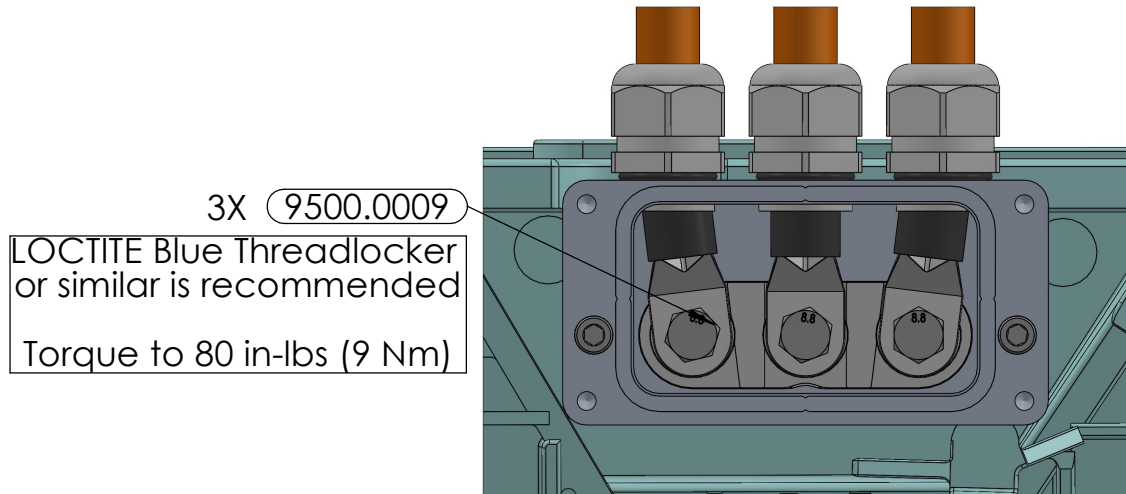
Assembly Instructions

EM57 Motor 3 Phase Wiring Kit

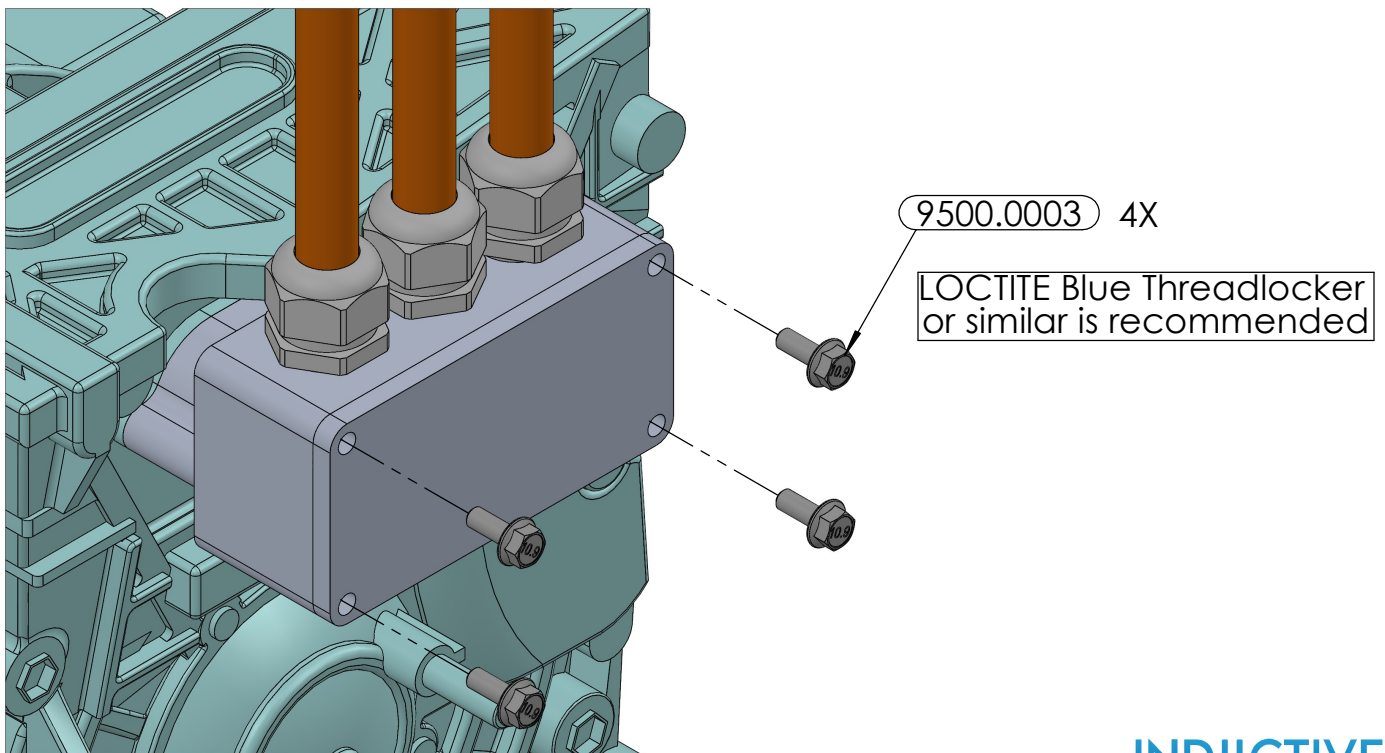
Revision: -
Page 5 of 6

STEP 5

Assemble and install cord grips



STEP 6



Assembly Instructions
EM57 Motor 3 Phase Wiring Kit

Revision: -
Page 6 of 6

STEP 7

Reuse Nissan rubber gasket

LOCTITE Blue Threadlocker
or similar is recommended

1200.1030

9500.0001 3X

