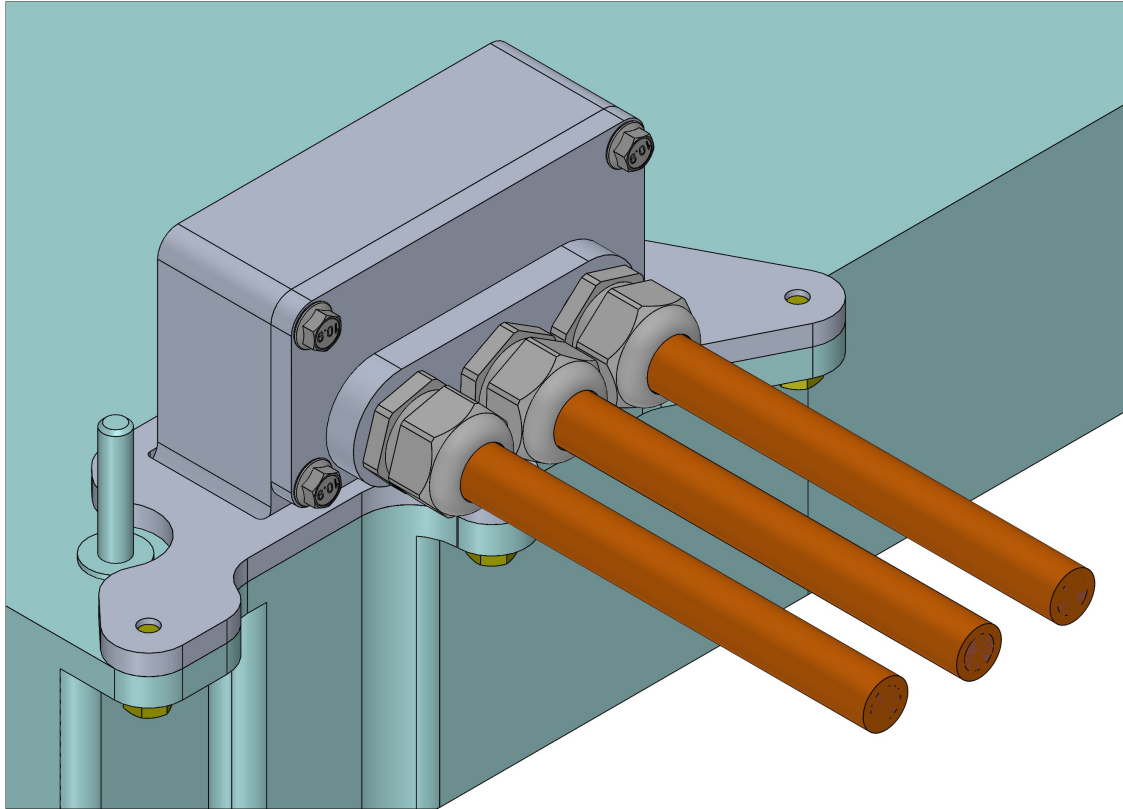


# Assembly Instructions

## EM57 Inverter 3 Phase Wiring Kit

Revision: -  
Page 1 of 7



ITEM NO.	DESCRIPTION	PartNo	QTY.
1	EM57 Inv 3ph Enclosure	1200.1017	1
2	EM57 Inv 3ph Isolator Base	1200.1026	1
3	EM57 Inv 3ph CG Plate	1200.1016	1
4	EM57 Inv 3ph Retaining Plate	1200.1018	1
5	M8x1.25 x 16 Bolt	9500.0001	6
6	M6x1.00 x 16 Bolt	9500.0003	4
7	-241 Soft Buna-N O-Ring	9501.0002	1
8	-236 Soft Buna-N O-Ring	9501.0039	1
9	2/0 Lug 90 Deg	9501.0023	8
10	M25 Plastic Cord Grip w O-Ring	8900.0002	5

4

3

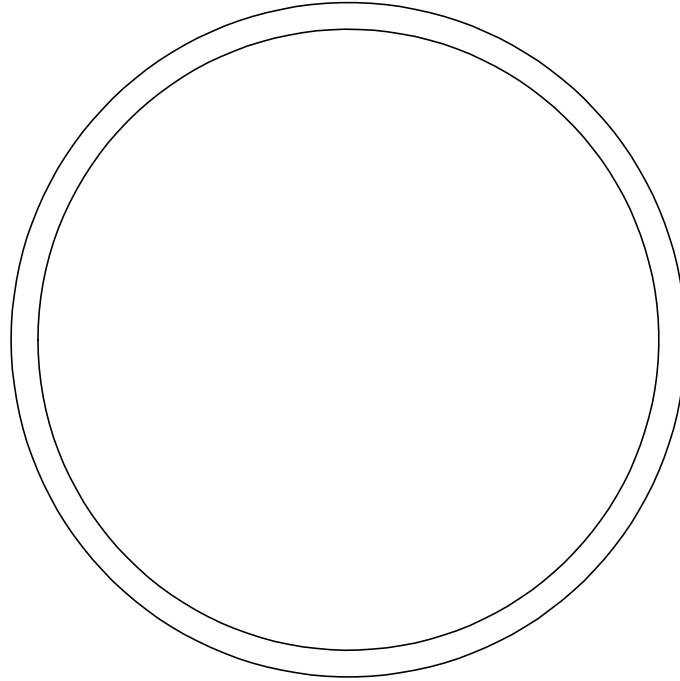
2

1

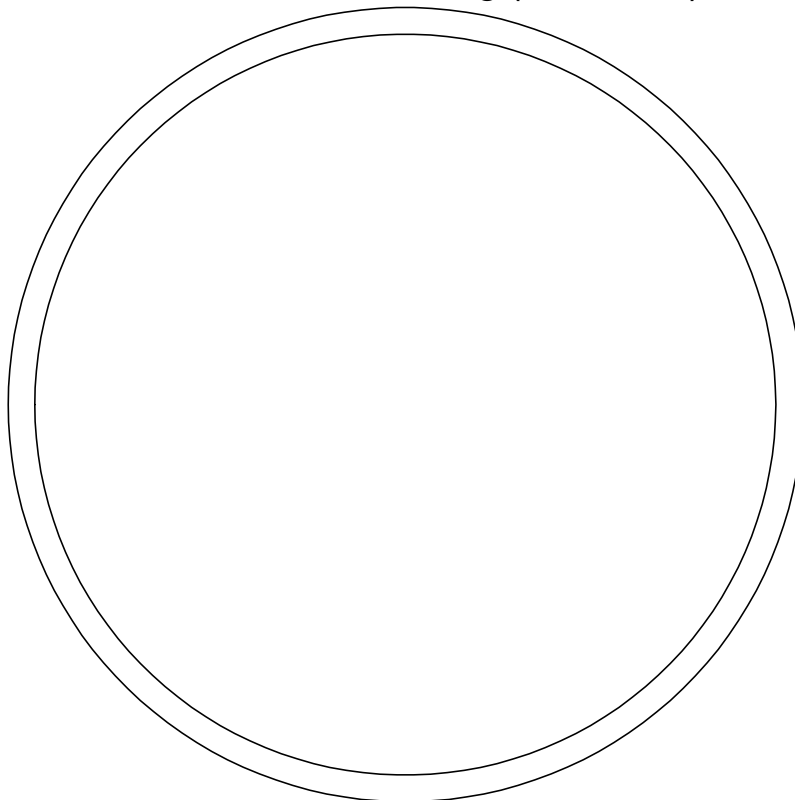
Assembly Instructions  
**EM57 Inverter 3 Phase Wiring Kit**

Revision: -  
Page 2 of 7

-236 Soft Buna-N O-Ring (9501.0039)



-241 Soft Buna-N O-Ring (9501.0002)



4

3

2

1

Assembly Instructions  
**EM57 Inverter 3 Phase Wiring Kit**

Revision: -  
Page 3 of 7

## Safety and Liability

Thank you for choosing our EM57 wiring kit. We want to ensure that you have a safe and successful installation experience. Please read and follow all instructions carefully and completely before beginning your installation. Failure to follow these instructions may result in personal injury, property damage, or both.

- 1. Safety precautions:** Always wear protective gear, including gloves, eye protection, and suitable clothing when working with any electric vehicle wiring. Before beginning any work, ensure that the battery is disconnected and the system is completely deenergized.
  - 2. Professional installation:** Installation of this kit requires specialized knowledge and skills. We strongly recommend that you consult a professional conversion shop if you are not adequately trained and qualified. The wiring must be installed correctly and safely to prevent fire, electrocution, or damage to the vehicle.
  - 3. Product liability:** This kit is designed and tested to meet industry standards for safety and performance. However, we cannot guarantee that the kit will be suitable for all applications. It is your responsibility to ensure that the kit is installed correctly and used safely. We are not liable for any damages or injuries resulting from the installation or use of our wiring kit.
  - 4. Legal compliance:** Installation of this kit may be subject to local, state, or federal regulations. It is your responsibility to ensure that you comply with all applicable laws and regulations before installing the wiring kit. We are not responsible for any legal or regulatory issues that may arise from the installation or use of our wiring kit.
- By installing and using our EM57 wiring kit, you acknowledge that you have read, understood, and agreed to these safety and disclaimer messages. If you have any questions or concerns, please contact us before proceeding with the installation.

-Inductive Autoworks Engineering Team  
[inquiry@inductiveauto.com](mailto:inquiry@inductiveauto.com)

4

3

2

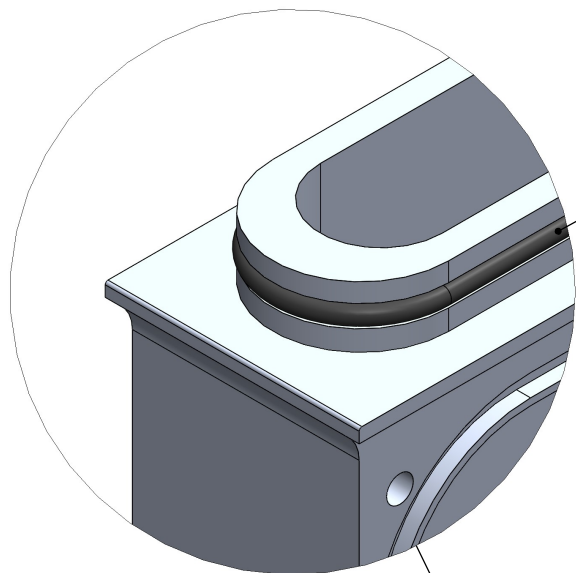
1

# Assembly Instructions

## EM57 Inverter 3 Phase Wiring Kit

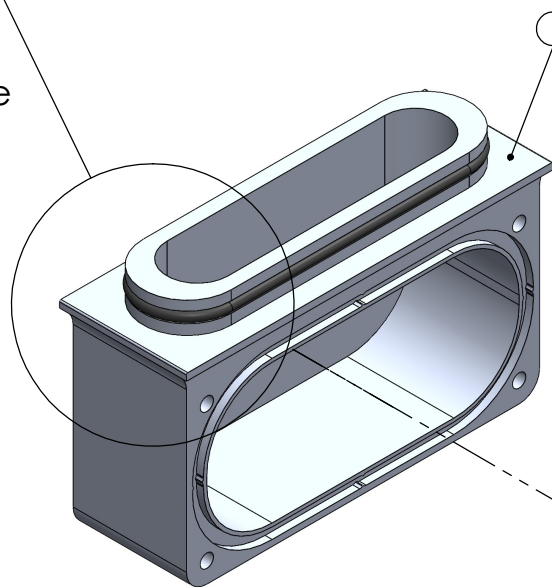
Revision: -  
Page 4 of 7

### STEP 1

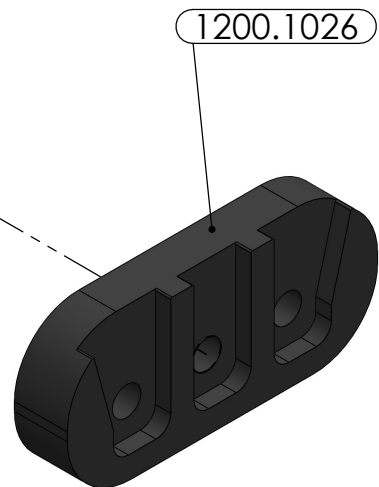


9501.0039

Ensure o-ring is fully seated in the groove



1200.1017



1200.1026

4

3

2

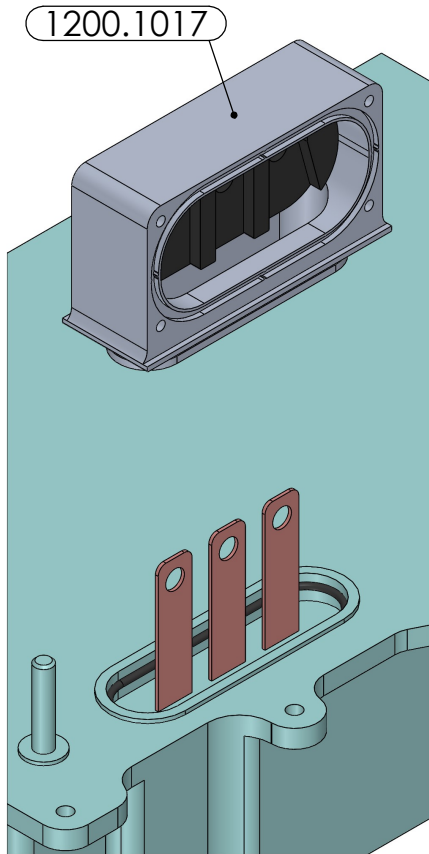
1

# Assembly Instructions

## EM57 Inverter 3 Phase Wiring Kit

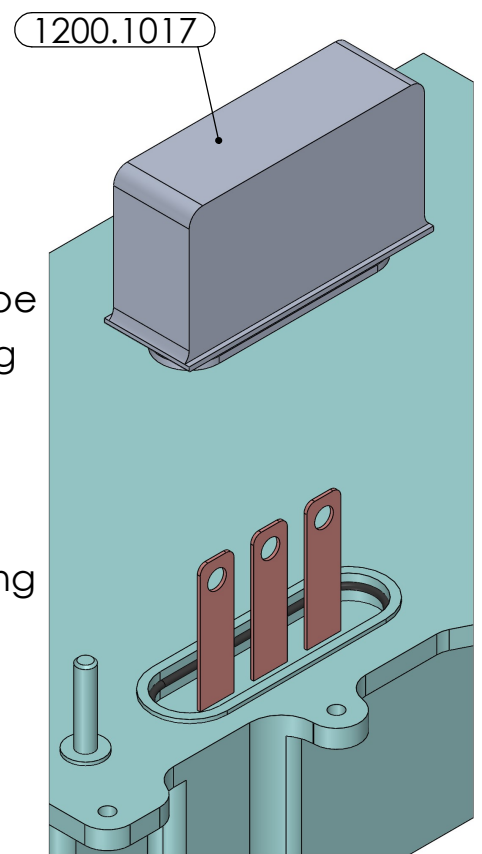
Revision: -  
Page 5 of 7

### STEP 2

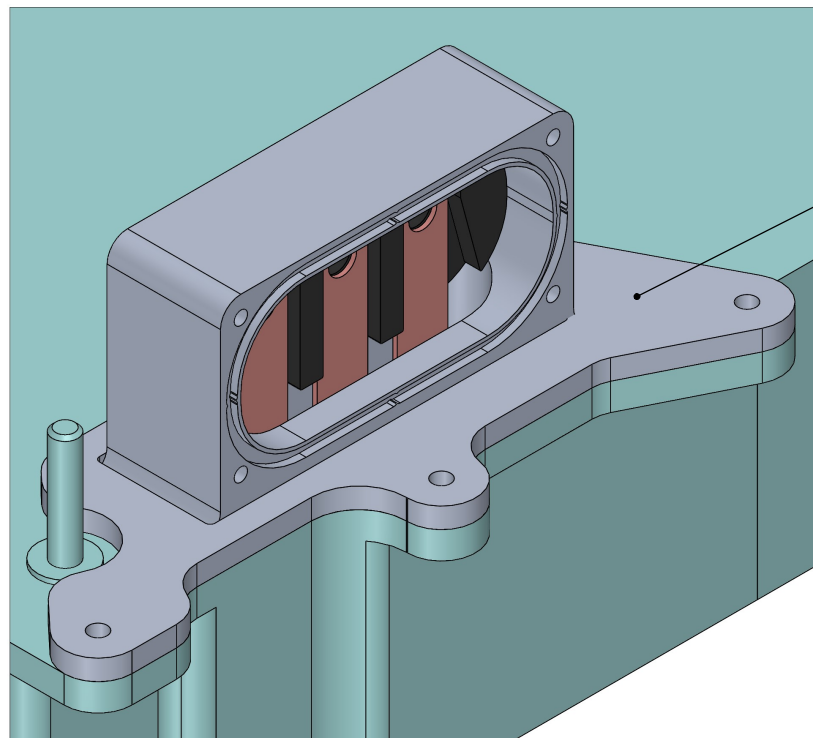


Enclosure 1200.1017 can be installed onto inverter facing either way based on what best fits your application

Apply a small amount of dielectric grease on the O-ring to ease install



### STEP 3



1200.1018

4

3

2

1

# Assembly Instructions

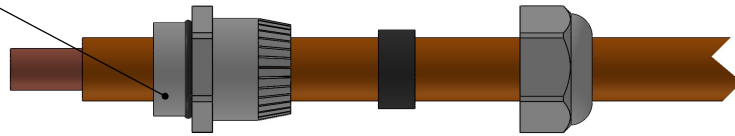
## EM57 Inverter 3 Phase Wiring Kit

Revision: -  
Page 6 of 7

### STEP 4

Install cord grip onto 2/0 **BEFORE** crimping lug

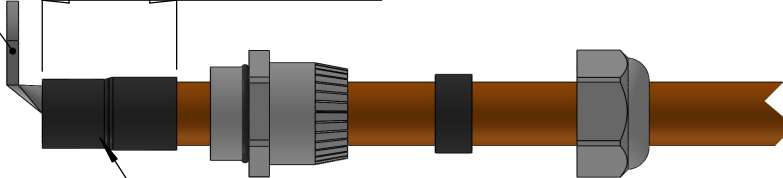
2X (8900.0002)



Crimp 2/0 Lugs 2X (9501.0023) onto 2/0. A hydraulic crimp tool with a 50mm die is recommended

2X (9501.0023)

1.40in [35.6mm] MAX



Adhesive (marine) heatshrink is recommended

LOCTITE Blue Threadlocker or similar is recommended

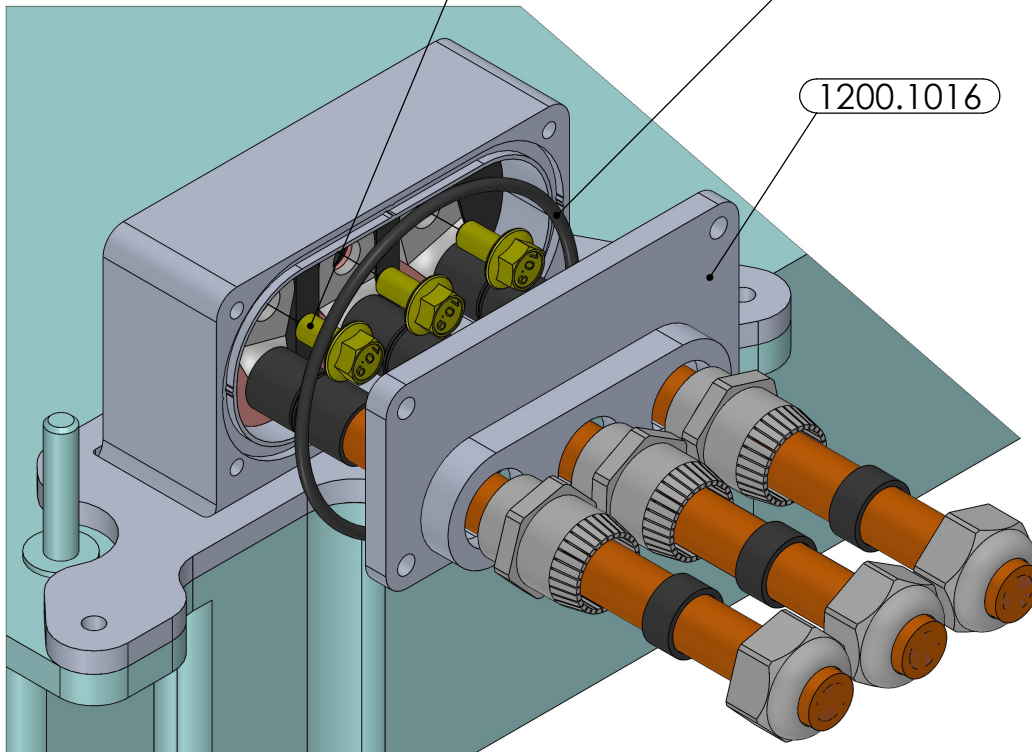
### STEP 5

Torque to 80 in-lbs (9 Nm)

3X (9500.0001)

(9501.0002)

(1200.1016)



4

3

2

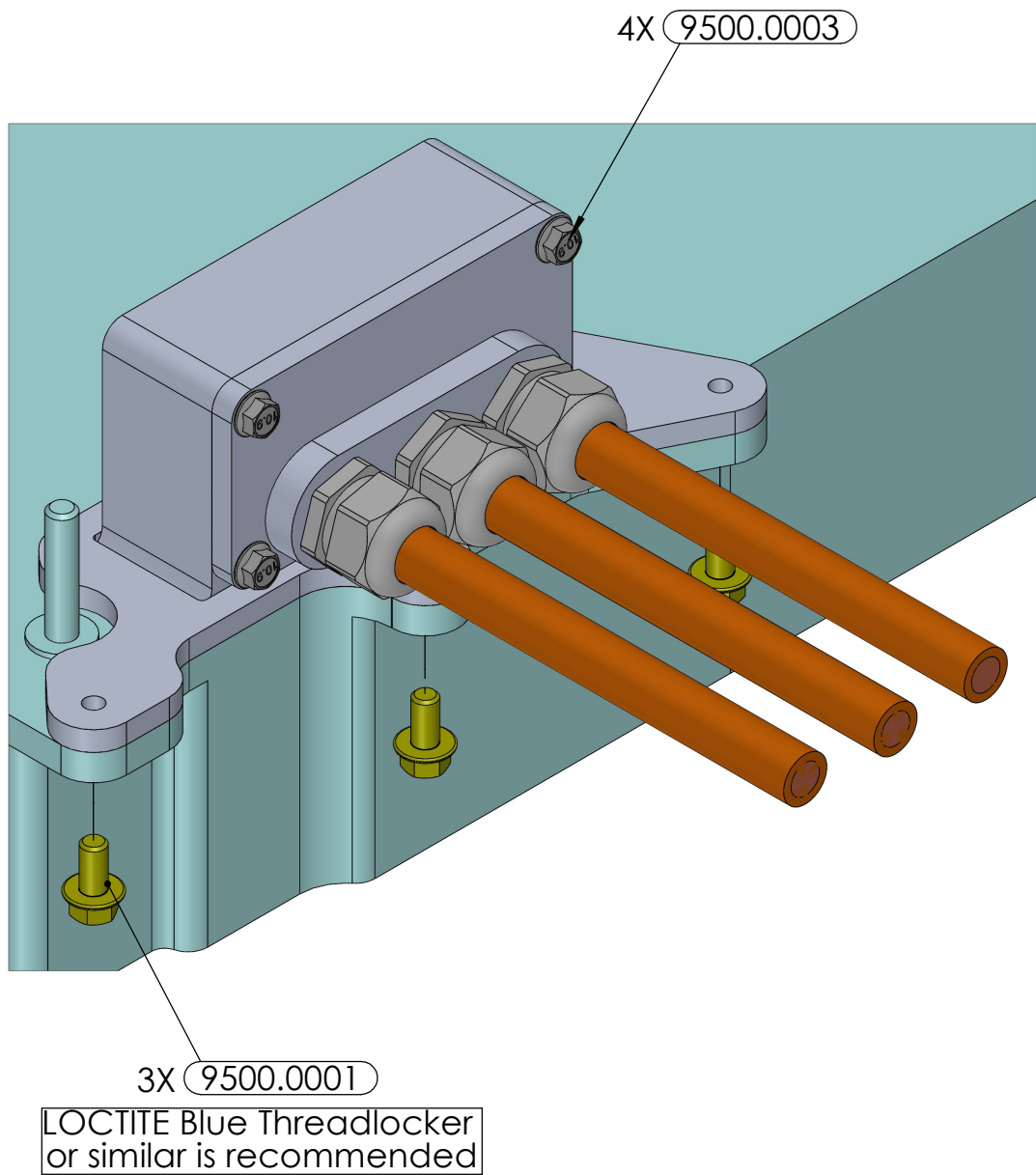
1

# Assembly Instructions

## EM57 Inverter 3 Phase Wiring Kit

Revision: -  
Page 7 of 7

### STEP 6



4

3

2

1